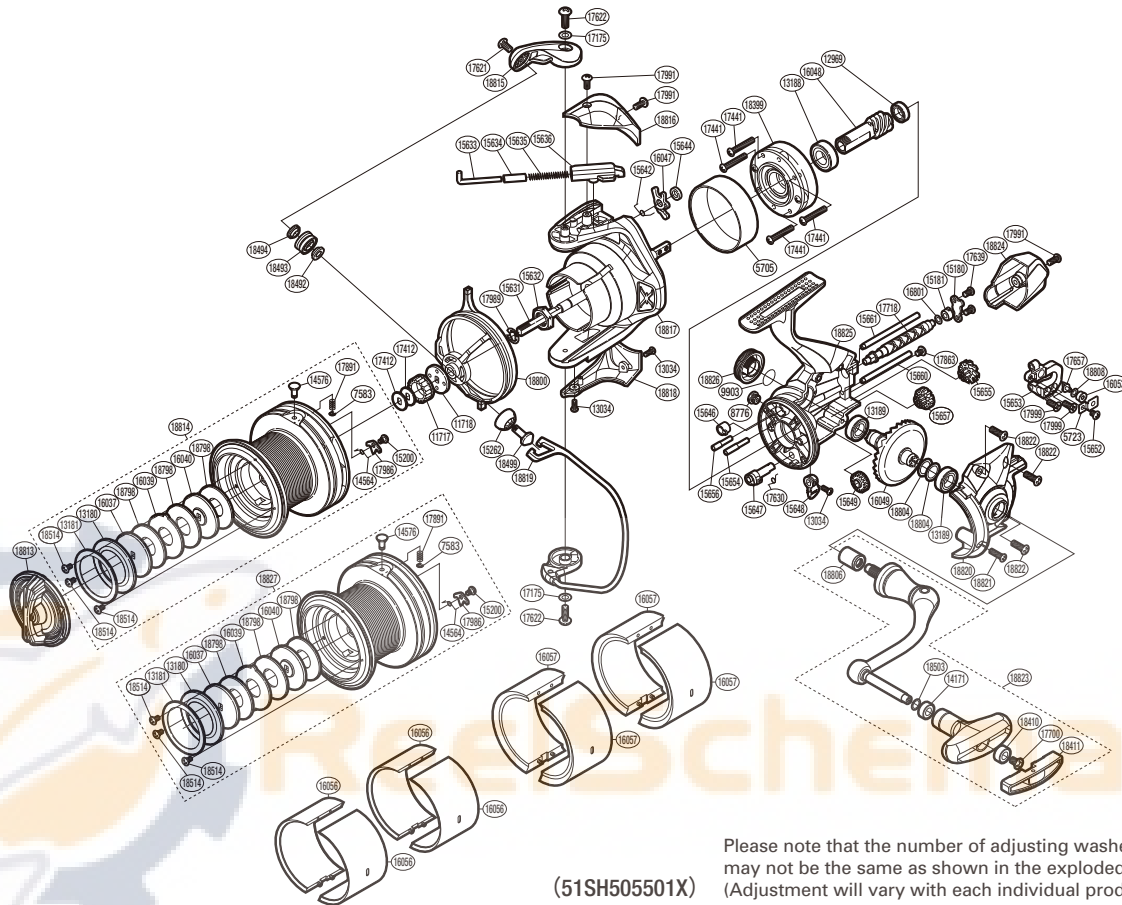


SHIMANO

ULTEGRA S A-RB

ULTCI45500XTC



Please note that the number of adjusting washers may not be the same as shown in the exploded views. (Adjustment will vary with each individual product.)

(51SH505501X)

Part No.	Description	Part No.	Description	Part No.	Description
RD 5705	Roller Clutch Ring	RD15654	Idle Gear B Shaft	RD18493	Line Roller Assembly *
RD 5723	Oscillating Pawl Cover	RD15655	Idle Gear B **	RD18494	Line Roller Spacer *
RD 7583	E Lock	RD15656	Idle Gear C Shaft	RD18499	Line Roller Support *
RD 8776	Oil Cap	RD15657	Idle Gear C **	RD18503	Washer
RD 9903	O Ring	RD15660	Oscillating Guide A	RD18514	Screw
RD11717	Spool Support A	RD15661	Oscillating Guide B	RD18798	Drag Washer
RD11718	Spool Support B	RD16037	Key Washer	RD18800	Line Safety Guard Assembly
RD12969	Ball Bearing ****	RD16039	Eared Washer	RD18804	Washer **/****
RD13034	Screw	RD16040	Key Washer	RD18806	Handle Shaft Cover B
RD13180	Seal Plate A	RD16047	Bail Trip Lever	RD18808	Washer ***
RD13181	Seal Plate B	RD16048	Pinion Gear **	RD18813	Drag Knob Assembly
RD13188	Ball Bearing ****	RD16049	Drive Gear **	RD18814	Spool Assembly
RD13189	Ball Bearing ****	RD16053	Oscillating Slider Bushing ***	RD18815	Bail Arm
RD14171	Handle Knob Bushing	RD16801	Washer ***	RD18816	Bail Spring Cover
RD14564	Drag Click Spring	RD17175	Washer	RD18817	Rotor
RD14576	Line Clip	RD17412	Spool Washer	RD18818	Bail Hold Support Guard
RD15180	Worm Shaft Retainer	RD17441	Screw	RD18819	Bail Assembly
RD15181	Worm Bushing (Rear) ***	RD17621	Screw *	RD18820	Side Cover
RD15200	Screw	RD17622	Screw	RD18821	Screw
RD15262	Line Roller Support Cover *	RD17630	Anti-Reverse Cam Spring	RD18822	Screw
RD15631	Main Shaft	RD17639	Screw	RD18823	Handle Assembly
RD15632	Rotor Nut	RD17657	Oscillating Pawl ***	RD18824	Rear Protector
RD15633	Bail Spring Guide A	RD17700	Screw	RD18825	Body Assembly
RD15634	Bail Spring Guide A Support	RD17718	Worm Shaft ***	RD18826	Handle Screw Cap Assembly
RD15635	Bail Spring	RD17863	Screw		
RD15636	Bail Spring Guide B	RD17891	Line Clip Spring	RD18827	Spare Spool Assembly (Accessory)
RD15642	Lever Spring	RD17986	Drag Click		
RD15644	Washer	RD17989	E Lock	RD16056	Spool Economizer A (4500) (Accessory)
RD15646	Worm Bushing (Front) ***	RD17991	Screw	RD16057	Spool Economizer B (3500) (Accessory)
RD15647	Anti-Reverse Cam	RD17999	Screw		
RD15648	Anti-Reverse Lever	RD18399	Roller Clutch Assembly	PK 0444	Line Roller Set *
RD15649	Idle Gear **	RD18410	Handle Knob Bushing A	PK 0464	Gear Set **
RD15652	Screw	RD18411	Handle Knob Seal	PK 0465	Oscillation Set ***
RD15653	Oscillating Slider	RD18492	Line Roller Collar *	PK 0466	Bearing Set ****